



BUNN®

H3EA Hot Water Dispenser

Precise temperature control and hot water on-demand to 96°

Contemporary, low profile design for front-of-house and self-service

Eco-friendly technology maximizes energy use

Thinsulate® tank insulation improves energy efficiency

Programmable "Energy Saver Mode" reduces operating costs during idle periods

LED display provides simple temperature adjustment

Intuitive blue LED dispense button

Cup clearance accomodates a range of serving options for custom-crafted, hand pour coffees and teas

Backed by standard BUNN® Commercial Warranty



Two new brochures available in print by request or for download at bunn.com

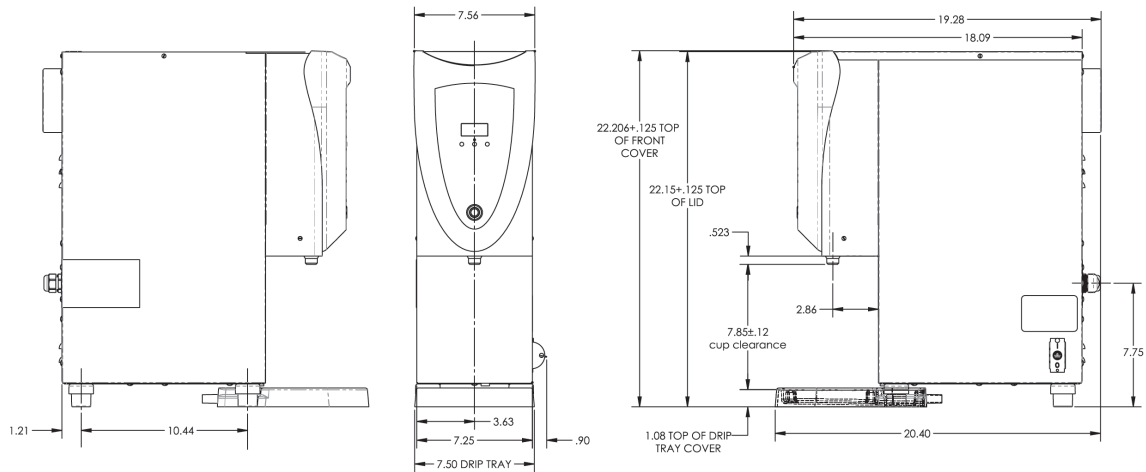
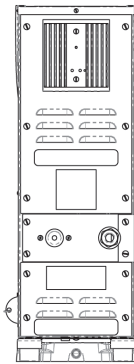
BUNN®

H3EA

Accuracy, adjustability, energy efficiency
and styling in a quality hot water dispenser

19cm x 49.02cm x 56.52cm

Capacity at 2°C Input (servings/hour)
123 236mL cups/hour



DESCRIPTION	CAPACITY		ELECTRICAL	AGENCY
	WATER INPUT			
	COLD WATER INPUT 1.6°C	HOT WATER INPUT 60°C		

Product #	Model	Finish	Temperature Setting °C	L/hr	L/hr	Volts	Amps	Watts	Hertz	Phase	Plug	Cord Attached	Shipping Weight	Listing
45300.0000	H3EA	Stainless	15.6-96	Varies by Application	220-240	11.5-12.5	2500-3500	50/60	1	UK	Yes	10.8kg	CE	

Plumbing: 138-621 kPa. Machine supplied with 3/8" BSPP male flare fitting.